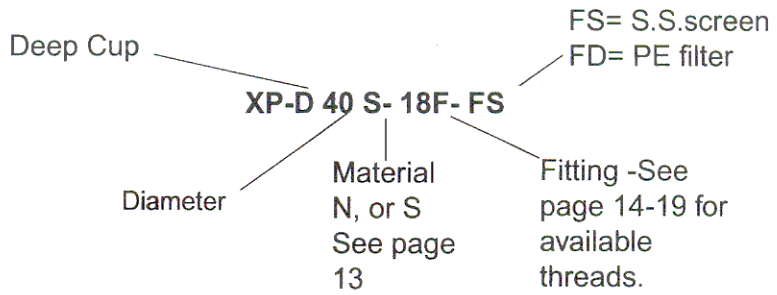
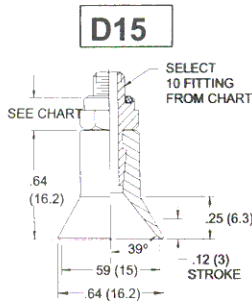


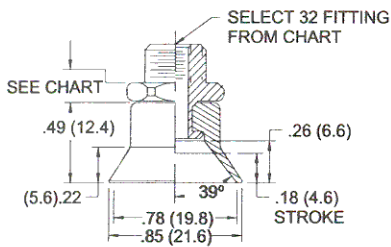
DEEP CUPS

HOW TO ORDER

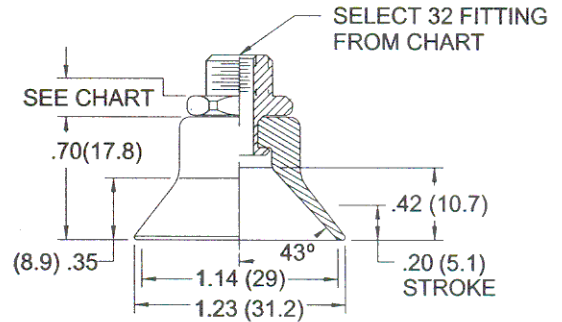


CUP DIAMETER	15mm	20mm	30mm	40mm	50mm
PART NUMBER	XP-D15	XP-D20	XP-D30	XP-D40	XP-D50
CUP WEIGHT: oz. (g)	0.01 (0.28)	0.06 (1.7)	0.14 (4)	0.3 (8.5)	0.56 (15.9)
INTERNAL VOLUME: cu. in. (cc)	0.07 (1.2)	0.16 (2.6)	0.61 (10)	0.8 (13)	2.0 (32.8)
FORCE @ 6" Hg: lb. (N)	0.7 (3.1)	1.3 (5.8)	2.7 (12)	5.4 (24)	7.4 (32.9)
FORCE @ 18" Hg: lb. (N)	1.3 (5.8)	2.2 (9.8)	4.9 (21.8)	11.3 (50.3)	14.6 (64.9)
MINIMUM RADIUS: in. (mm)	0.2 (5.1)	0.39 (9.9)	0.59 (15)	0.65 (16.5)	0.98 (24.9)
MATERIALS	N,S	N,S	N,S	N,S	N,S

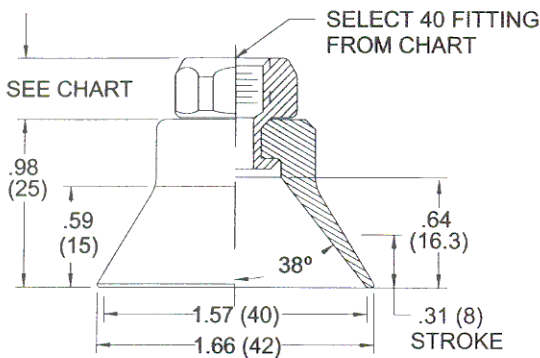
D20



D30



D40



D50

